



TARYA

# Convert your Petrol Scooter to Electric.

[www.starya.in](http://www.starya.in)

Reborn Electric



# Know your **EPK**

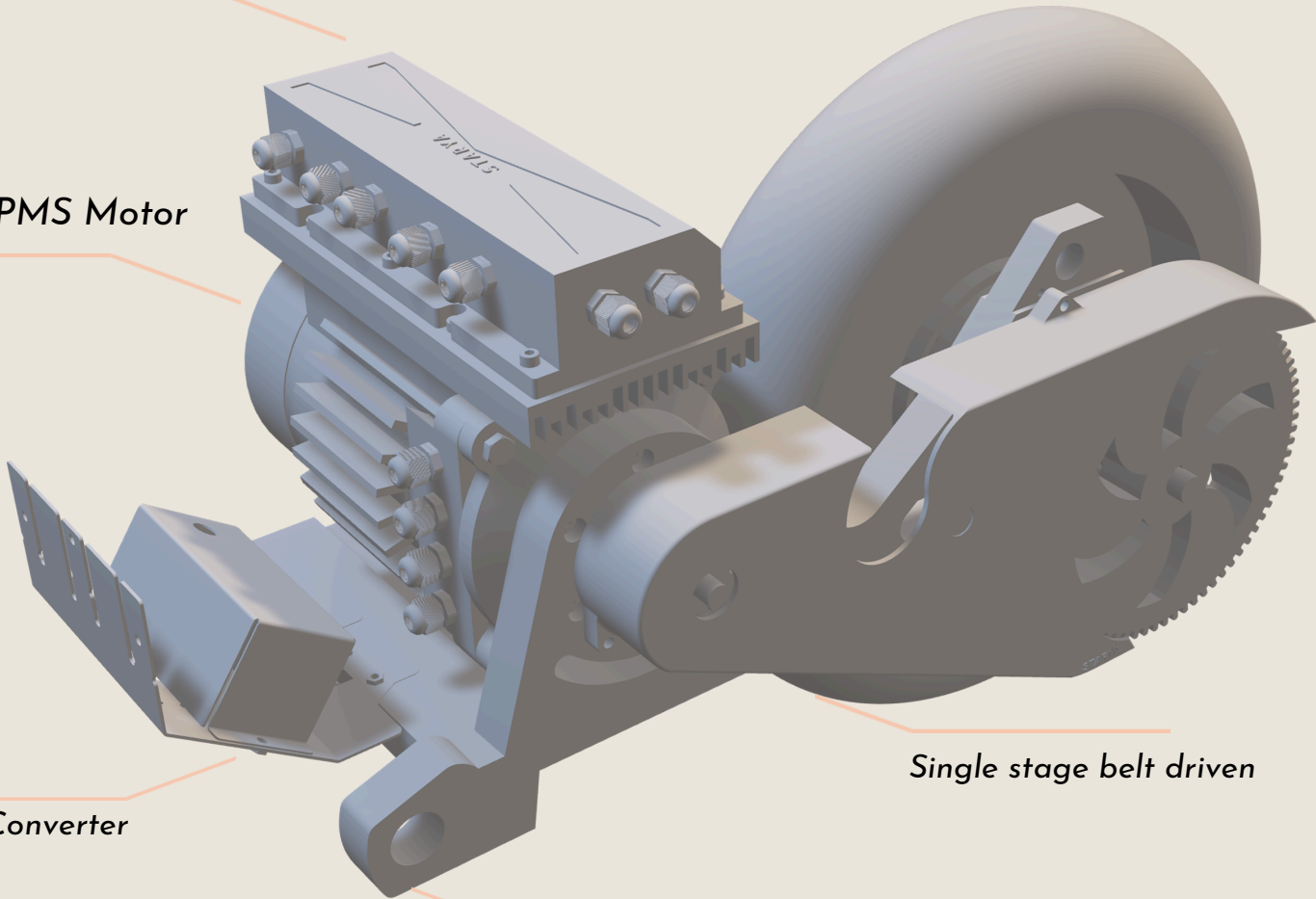
FOC Controller

Patented PMS Motor

12V DC Converter

Single stage belt driven

Patented Swing-arm Chassis



# EPK 1.0

BUILT TOUGH



Scan here to learn  
what makes our  
EPK so special

# Comfort (Discontinued)

Top Speed	<b>50 Kmph</b>
Range	<b>50 Kms*</b>
Motor Capacity	<b>2 kW (Peak)</b>
Motor Type	<b>PMSM</b>
Drive Type	<b>Mid Drive</b>
Price	<b>₹54,999/-</b>

# Comfort+

Top Speed	<b>50 Kmph</b>
Range	<b>85 Kms*</b>
Motor Capacity	<b>2 kW (Peak)</b>
Motor Type	<b>PMSM</b>
Drive Type	<b>Mid Drive</b>
Price	<b>₹64,999/-</b>

\*Subject to Ideal Ride Conditions.

All prices are including GST & RTO charges



# Rush

Top Speed	<b>80 Kmph</b>
Range	<b>85 Kms*</b>
Motor Capacity	<b>4.3 kW (Peak)</b>
Motor Type	<b>PMSM</b>
Drive Type	<b>Mid Drive</b>
Acceleration (0-40 kmph)	<b>Under 3.7s</b>
Price	<b>₹88,999/-</b>

---

Visit our Experience Centres for additional store discounts.

\*Subject to Ideal Ride Conditions.

All prices are including GST & RTO charges